

STEEL & O'BRIEN MANUFACTURING



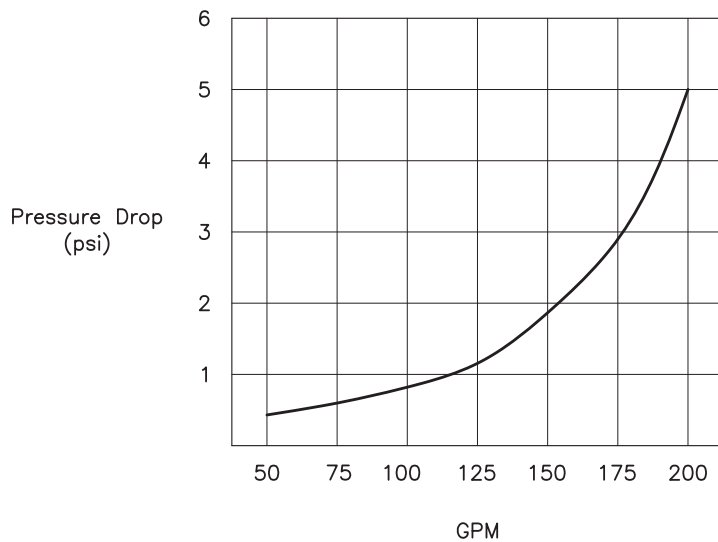
STRAINERS & FILTERS

Don't See What You Need?

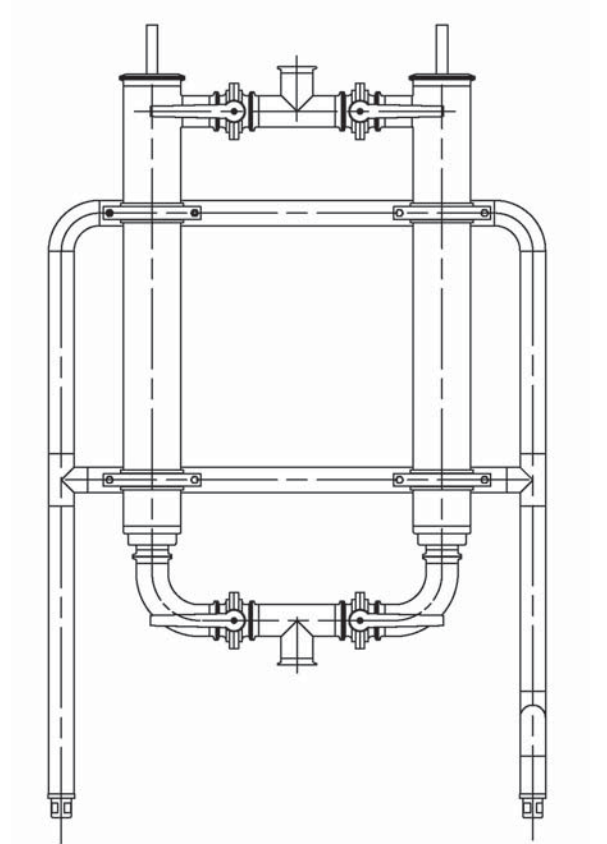
We have more than 35,000 unique part numbers in our inventory. We'll be happy to help you find what you need or we can manufacture a custom fabrication or custom machined fitting to your specification. If you don't see what you need give us a call at 1-585-492-5800

Features

- Removes particles of various sizes from the process line providing protection for pumps, valves and other down-line process equipment
- Easy to convert from strainer to filter
- Backup tube with 1/4" perforations, 9 holes per square inch, is standard. 1/8" perforations are available.
- Short and long models with 1" - 3" clamp end connections are standard.
Narrow models are 1", 1 1/2" and 2" sizes
Wide models are 2 1/2" and 3" sizes
From 316ss material
- Interchangeable parts minimizes inventory requirements.
- Max. Operating Pressure 100 psi
- 3A Certified (without mesh)
- Dual strainer stands available

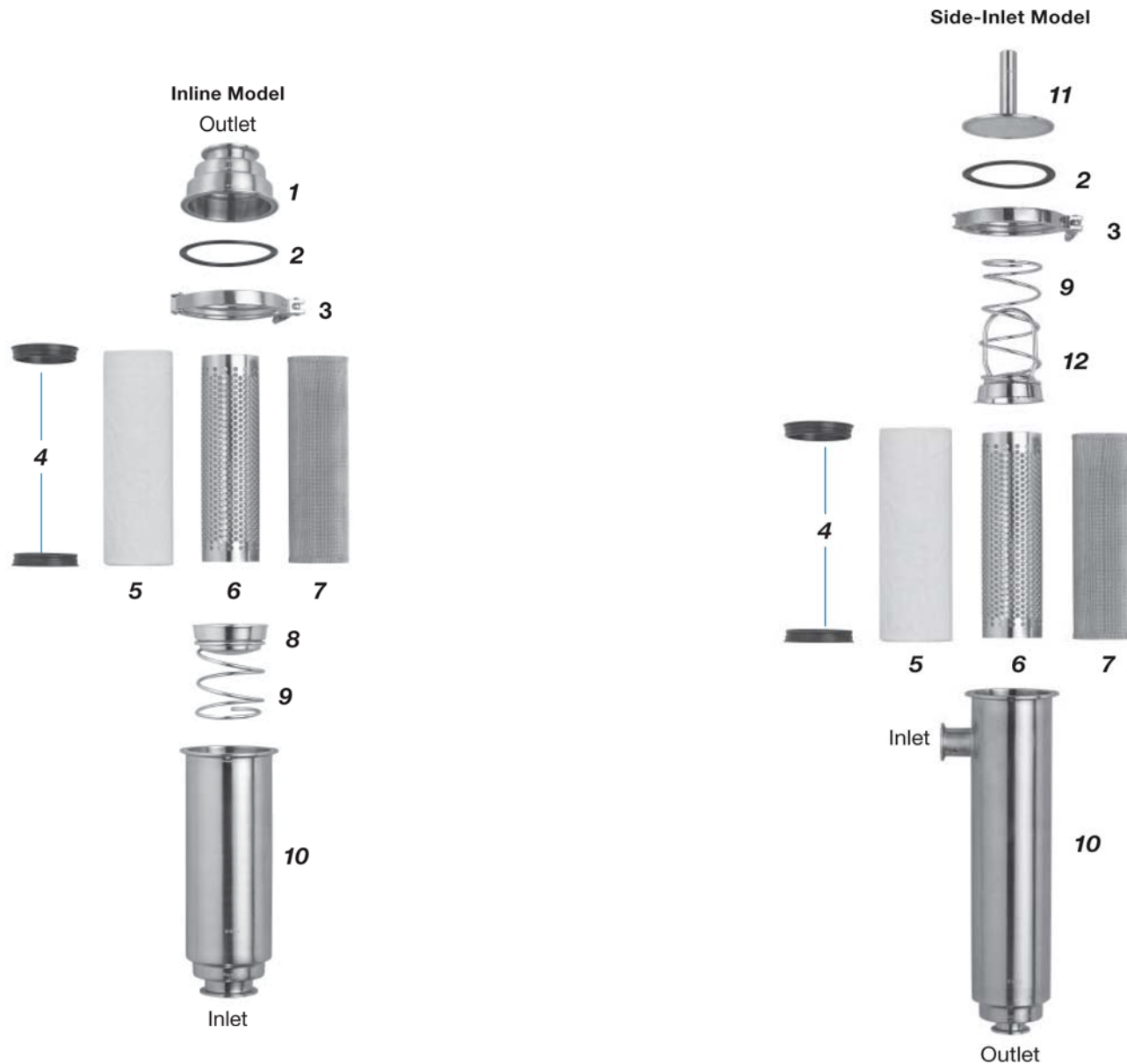


Pressure Drop Curve
Curve is based on water
Includes all sizes

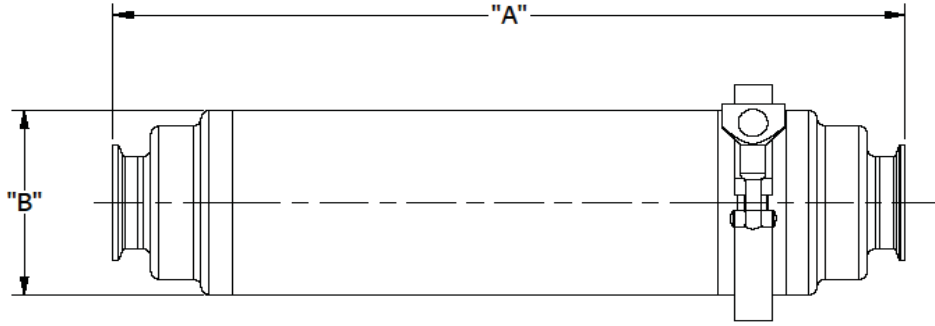


Dual Strainer Stand

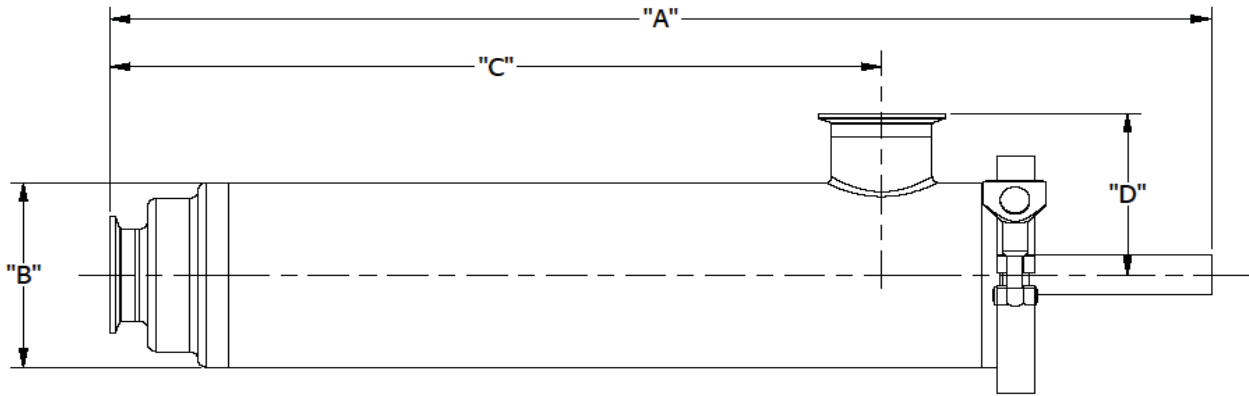
Parts List



ITEM	COMPONENT	MATERIAL
1	Outlet Assembly	316ss
2	Gasket	Buna
3	Clamp	304ss
4	Retaining Rings (filters only)	Buna
5	Filter Media	Varies
6	Backup Tube	316ss
7	Overscreen (Strainers only)	316ss
8	Distributor Cap	316ss
9	Spring	316ss
10	Body	316ss
11	End Cap	316ss
12	Distributor cap, handle assembly	316ss



INLINE STYLE

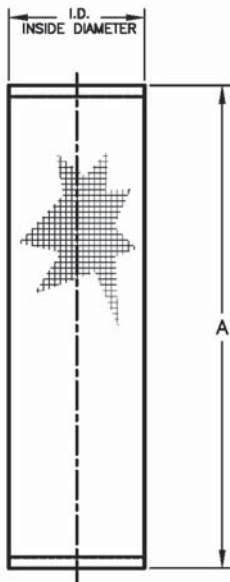


SIDE INLET STYLE

SIZE	EFFECTIVE FILTRATION AREA ft ²	A		B	C	D
		INLINE STYLE (Part Number)	SIDE-INLET STYLE (Part Number)		SIDE-INLET STYLE	
Short Length Style						
1"	0.65	15.8 (KEA01000)	22.2 (KEC01000)	4	15.6	3.5
1 1/2"	0.65	15.8 (KEA01500)	22.2 (KEC01500)	4	15.6	3.5
2"	0.65	15.8 (KEA02000)	22.2 (KEC02000)	4	15.6	3.5
2 1/2"	0.75	15.8 (KEA02500)	22.2 (KEC02500)	4.5	15.8	5
3"	0.75	15.8 (KEA03000)	22.2 (KEC03000)	4.5	15.8	5
Long Length Style						
1 1/2"	1.95	35.4 (KEB01500)	41.9 (KED01500)	4	35.2	3.5
2"	1.95	35.4 (KEB02000)	41.9 (KED02000)	4	35.2	3.5
2 1/2"	2.25	35.4 (KEB02500)	41.9 (KED02500)	4.5	35.4	5
3"	2.25	35.4 (KEB03000)	41.9 (KED03000)	4.5	35.4	5

Strainer Overscreens (Mesh)

For smaller particle removal, slide the 316ss mesh overscreen over the backup tube.
 Strainer mesh can be reused after cleaning.
 Filter media and mesh must be ordered separately.



Part Number	Strainer Style	I.D.	A	Nominal Pore Size (μm) (microns)	Aperature	Mesh Size
KEM1N030	Short, Narrow	3.000	10.750	533	.021	030
KEM1N040	Short, Narrow			381	.015	040
KEM1N050	Short, Narrow			279	.011	050
KEM1N060	Short, Narrow			229	.009	060
KEM1N080	Short, Narrow			178	.007	080
KEM1N100	Short, Narrow			140	.006	100
KEM1N120	Short, Narrow			117	.005	120
KEM1N150	Short, Narrow			104	.004	150
KEM1N200	Short, Narrow	3.000	10.750	73	.0029	200
KEM1W016	Short, Wide	3.500	10.750	1130	.045	016
KEM1W020	Short, Wide			864	.034	020
KEM1W030	Short, Wide			533	.021	030
KEM1W040	Short, Wide			381	.015	040
KEM1W050	Short, Wide			279	.011	050
KEM1W080	Short, Wide			178	.007	080
KEM1W100	Short, Wide			140	.006	100
KEM1W120	Short, Wide			117	.005	120
KEM1W150	Short, Wide	3.500	10.750	104	.004	150
KEM2N016	Long, Narrow	3.000	30.750	1130	.045	016
KEM2N030	Long, Narrow			533	.021	030
KEM2N050	Long, Narrow			279	.011	050
KEM2N080	Long, Narrow			178	.007	080
KEM2N100	Long, Narrow			140	.006	100
KEM2N120	Long, Narrow			117	.005	120
KEM2N150	Long, Narrow			104	.004	150
KEM2N200	Long, Narrow	3.000	30.750	73	.0029	200
KEM2W016	Long, Wide	3.500	30.750	1130	.045	016
KEM2W020	Long, Wide			864	.034	020
KEM2W030	Long, Wide			533	.021	030
KEM2W040	Long, Wide			381	.015	040
KEM2W050	Long, Wide			279	.011	050
KEM2W060	Long, Wide			229	.009	060
KEM2W080	Long, Wide			178	.007	080
KEM2W100	Long, Wide			140	.006	100
KEM2W120	Long, Wide			117	.005	120
KEM2W150	Long, Wide			104	.004	150
KEM2W200	Long, Wide	3.500	30.750	73	.0029	200

Filter Media

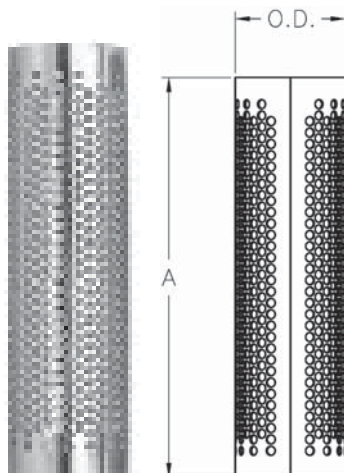
For fine particle removal (filtration), replace overscreen with filter media. Filter media must be periodically removed and disposed of. Media slides over backup tubes. Media is slightly longer than overscreens for retaining rings to hold. Filter media and mesh must be ordered separately.



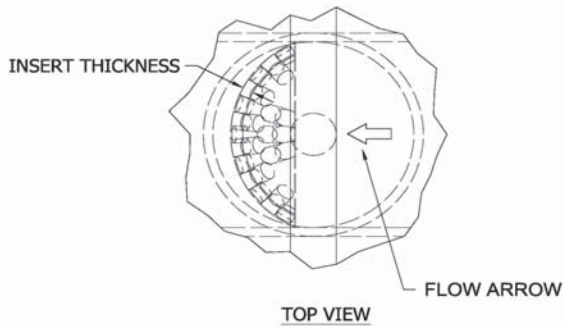
Part Number	Strainer Style	Nominal Pore Size μm (microns)	Material
KEF1N30E	Short, Narrow	40	Nonwoven rayon
KEF1N30N	Short, Narrow	250	Smooth-weave polyester fiber
KEF1N30C	Short, Narrow	300	Cotton cheesecloth
KEF1N30G	Short, Narrow	420	Woven nylon or rayon
KEF1N30B	Short, Narrow	500	Cotton flannel
KEF1N30D	Short, Narrow	765	Woven nylon or polyester
KEF1W30E	Short, Wide	40	Nonwoven rayon
KEF1W30N	Short, Wide	250	Smooth-weave polyester fiber
KEF1W30C	Short, Wide	300	Cotton cheesecloth
KEF1W30G	Short, Wide	420	Woven nylon or rayon
KEF1W30B	Short, Wide	500	Cotton flannel
KEF1W30D	Short, Wide	765	Woven nylon or polyester
KEF2N30E	Long, Narrow	40	Nonwoven rayon
KEF2N30N	Long, Narrow	250	Smooth-weave polyester fiber
KEF2N30C	Long, Narrow	300	Cotton cheesecloth
KEF2N30G	Long, Narrow	420	Woven nylon or rayon
KEF2N30B	Long, Narrow	500	Cotton flannel
KEF2N30D	Long, Narrow	765	Woven nylon or polyester
KEF2W30E	Long, Wide	40	Nonwoven rayon
KEF2W30N	Long, Wide	250	Smooth-weave polyester fiber
KEF2W30C	Long, Wide	300	Cotton cheesecloth
KEF2W30G	Long, Wide	420	Woven nylon or rayon
KEF2W30B	Long, Wide	500	Cotton flannel
KEF2W30D	Long, Wide	765	Woven nylon or polyester

Replacement Retaining Rings for filter media:
 for 1" , 1 1/2" & 2" sizes - Part no. KER00010
 for 2 1/2" & 3" sizes - Part no. KER00020

Backup Tubes (Replacement)

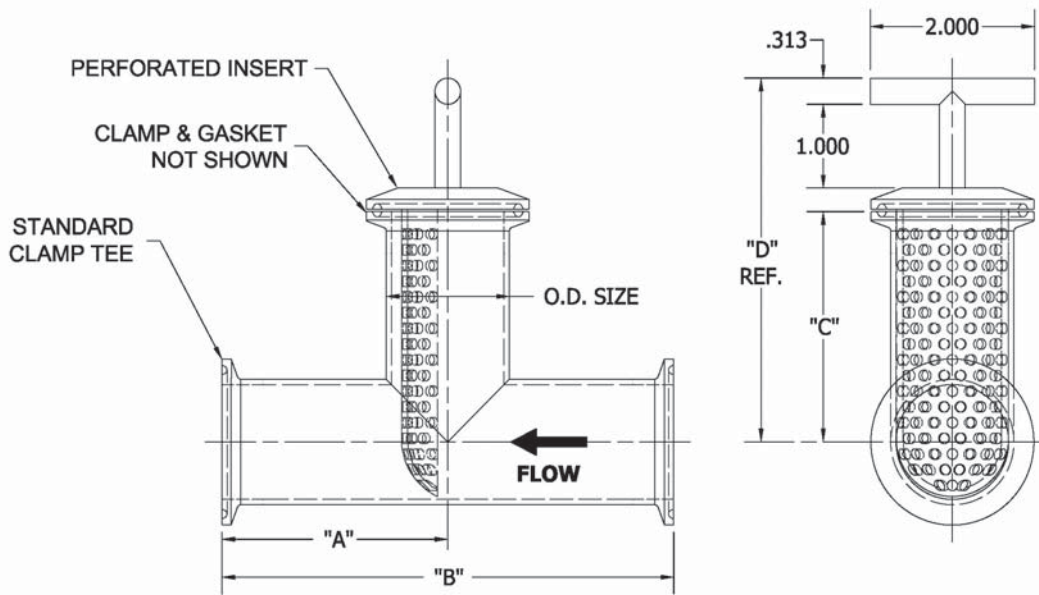


Part Number	Strainer Style	O.D.	A	Holes per Sq. In
KEM00010	1" - 2" Short	3.000	11.000	9 (1/4" dia. holes)
KEM00050	2 1/2" & 3" Short	3.500	11.000	9 (1/4" dia. holes)
KEM00030	1" - 2" Long	3.000	31.000	9 (1/4" dia. holes)
KEM00070	2 1/2" & 3" Long	3.500	31.000	9 (1/4" dia. holes)
KEM00020	1" - 2" Short	3.000	11.000	33 (1/8" dia. holes)
KEM00060	2 1/2" & 3" Short	3.500	11.000	33 (1/8" dia. holes)
KEM00040	1" - 2" Long	3.000	31.000	33 (1/8" dia. holes)
KEM00080	2 1/2" & 3" Long	3.500	31.000	33 (1/8" dia. holes)



Clamp Tee Strainers are a simple and cost effective method to protect your pump and process equipment. Standard Tri-Clamp connections make installation and maintenance easy.

- 316L Stainless Steel Construction
- Tri-Clamp Connections
- Bead Blast Finish on Insert
- Fully Assembled w/EPDM Gasket



NOTE:
 - PERFORATED PLATE BEAD BLASTED
 - TEE POLISHED TO A 32Ra ID/OD

PART NUMBER	O.D. SIZE	PERF. SIZE	A	B	C	D	INSERT THICKNESS
KET01500	1-1/2	.250	2.750	5.500	2.750	5.343	.075
KET01518	1-1/2	.125	2.750	5.500	2.750	4.343	.075
KET02000	2	.250	3.500	7.000	3.500	5.093	.075
KET02018	2	.125	3.500	7.000	3.500	5.093	.075
KET02500	2-1/2	.250	3.500	7.000	3.500	5.093	.109
KET02518	2-1/2	.125	3.500	7.000	3.500	5.093	.109
KET03000	3	.250	3.750	7.500	3.750	5.343	.109
KET03018	3	.125	3.750	7.500	3.750	5.343	.109
KET04000	4	.250	4.500	9.000	4.500	6.155	.109
KET04018	4	.125	4.500	9.000	4.500	6.155	.109