

QUALITY SANITARY FITTINGS, TUBING, VALVES AND MORE

Butterfly valves are ideal for food and beverage applications. They are offered in a wide range of sizes and connection standards to meet many diverse applications. These valves are proven to be reliable with high viscous products, high temperatures, and corrosive environments.

Actuated butterfly valves offer the same features and benefits of our manual butterfly valves, along with pneumatic actuation.



Manual Butterfly

Features and Specifications:

- Available in sizes 1" - 6"
- Available in 304ss or 316ss
- Stocked with Clamp and Butt Weld Ends, Other end connections available
- Handle options:
 - 4 positions Pull Handle
 - 12 positions Trigger Handle also available in 304ss with lockout/tagout option.
- Seat materials: Silicone-Red, EPDM, Viton (see page 5 for specifications).
- Pressure Rating: 145 PSI @ 68°F
- Polished to 32Ra I.D./O.D.
- Low resistance to product flow
- Suitable for low to high viscosity fluids
- Field serviceable
- Self-draining
- 100% pressure tested
- Actuator kit available (easily installed in the field)
- Torque required to fully open and fully close valve:

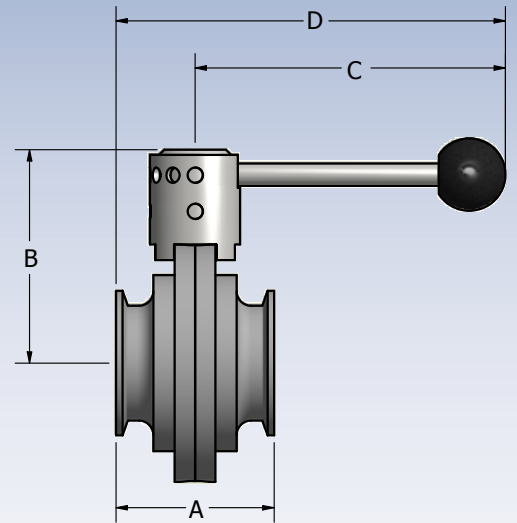
Size	1"	1-1/2"	2"	2-1/2"	3"	4"
N*m (newton meter)	13	13	16	18	23	34
Inch-Pounds	115	115	141	159	203	300

Note: values may vary depending on seat material



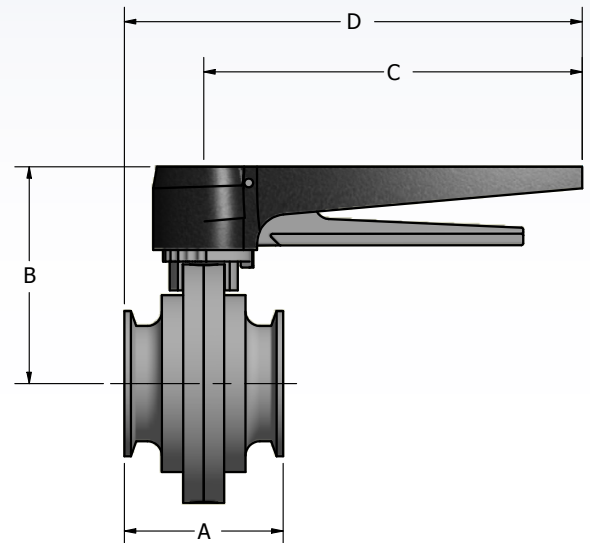
Pull Handle With Tri-Clamp Ends:

REFERENCE DIMENSIONS (inch) OD					
PART#	SIZE	A	B	C	D
BFVPC-1	1.0" (25.40mm)	2.60	3.20	5.49	6.79
BFVPC-1.5	1.5" (38.10mm)	2.60	3.33	5.49	6.79
BFVPC-2	2.0" (50.80mm)	2.75	3.72	5.49	6.87
BFVPC-2.5	2.5" (63.50mm)	2.75	3.85	5.49	6.87
BFVPC-3	3.0" (76.20mm)	3.00	4.25	5.49	7.00
BFVPC-4	4.0" (101.60mm)	3.00	4.75	6.87	8.37
BFVPC-6	6.0" (152.40mm)	5.50	6.22	8.25	11.13



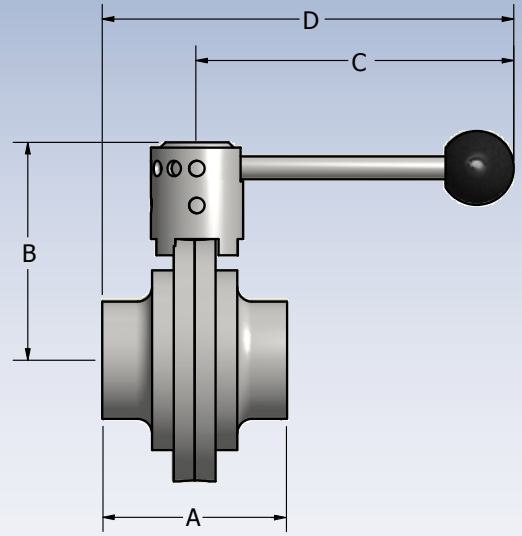
Trigger Handle With Tri-Clamp Ends:

REFERENCE DIMENSIONS (inch)					
PART#	OD SIZE	A	B	C	D
BFVTC-1	1.0" (25.40mm)	2.60	3.15	6.58	7.88
BFVTC-1.5	1.5" (37.10mm)	2.60	3.48	6.58	7.88
BFVTC-2	2.0" (50.80mm)	2.75	3.85	6.58	7.96
BFVTC-2.5	2.5" (63.50mm)	2.75	3.94	6.58	7.96
BFVTC-3	3.0" (76.20mm)	3.00	4.20	6.58	8.08
BFVTC-4	4.0" (101.60mm)	3.00	4.75	6.58	8.08



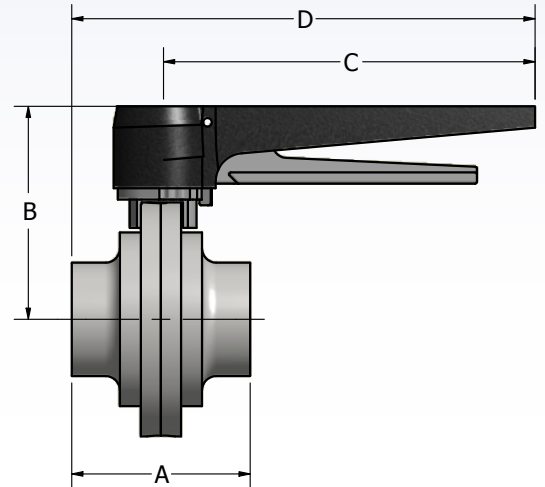
Pull Handle With Weld Ends:

REFERENCE DIMENSIONS (inch) OD					
PART#	SIZE	A	B	C	D
BFVPW-1	1.0" (25.40mm)	2.68	3.20	5.49	6.83
BFVPW-1.5	1.5" (38.10mm)	2.99	3.33	5.49	6.97
BFVPW-2	2.0" (50.80mm)	3.15	3.72	5.49	7.07
BFVPW-2.5	2.5" (63.50mm)	3.15	3.85	5.49	7.07
BFVPW-3	3.0" (76.20mm)	3.23	4.25	5.49	7.10
BFVPW-4	4.0" (101.60mm)	3.47	4.75	6.87	8.61



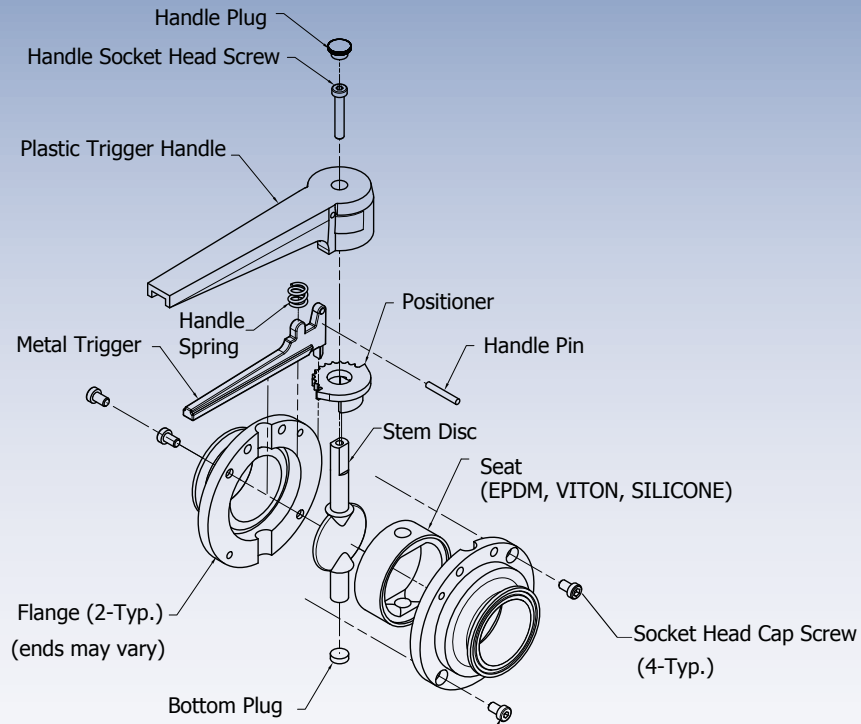
Trigger Handle With Weld Ends:

REFERENCE DIMENSIONS (inch) OD					
PART#	SIZE	A	B	C	D
BFVTW-1	1.0" (25.40mm)	2.68	3.15	6.58	7.92
BFVTW-1.5	1.5" (38.10mm)	2.99	3.48	6.58	8.08
BFVTW-2	2.0" (50.80mm)	3.15	3.85	6.58	8.15
BFVTW-2.5	2.5" (63.50mm)	3.15	3.94	6.58	8.16
BFVTW-3	3.0" (76.20mm)	3.23	4.20	6.58	8.19
BFVTW-4	4.0" (101.60mm)	3.47	4.75	6.58	8.32



QUALITY SANITARY FITTINGS, TUBING, VALVES AND MORE

Exploded view & itemized part list:

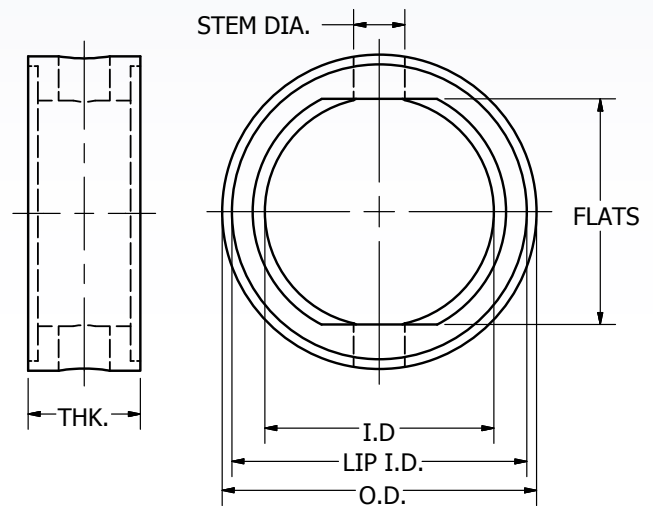


Replacement Seat Identification:

BUTTERFLY VALVE SEAT REFERENCE GUIDE						
SIZE	O.D.	I.D.	LIP I.D.	STEM DIA.	FLATS	THK.
1	1.50	0.82	1.28	.42	.77	.92
1.5	2.02	1.34	1.82	.42	1.34	.92
2	2.58	1.91	2.37	.42	1.82	.92
2.5	2.96	2.32	2.69	.42	2.25	.92
3	3.44	2.70	3.17	.42	2.67	.99
4	4.72	3.87	4.35	.57	3.80	1.13
6	6.84	5.79	6.32	.74	5.54	1.71

*** DIMENSIONS ARE FOR REFERENCE ONLY & MAY VARY ***

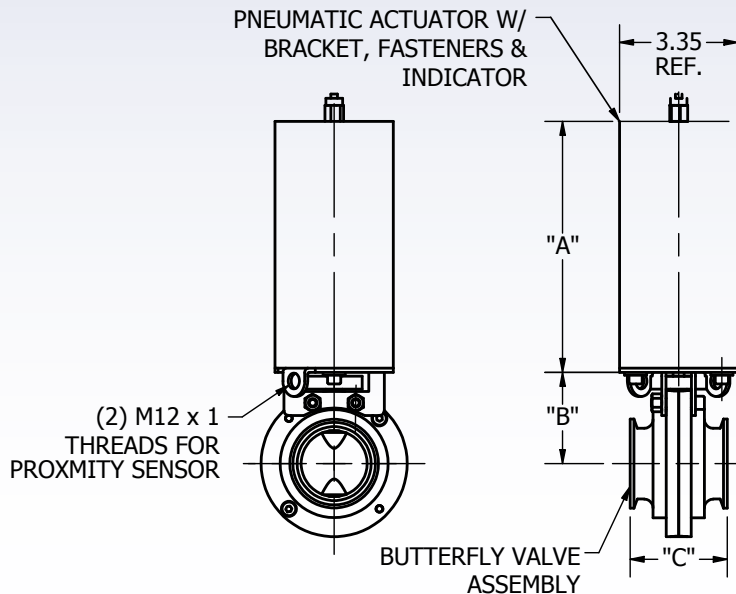
Seat Material	Min. Max Temperature	Recommended Operating. Range
EPDM	-40 – 266 F	-4 – 230 F
Viton	-4 – 392 F	-4 – 302 F
Silicone	-76 – 392 F	-13 – 284 F



Actuated Butterfly Valves (1" through 3"):

C3 Actuator Features and Specifications:

- Fits 1" through 3" Valves
- Available in Air/Air (dual acting) and Air/Spring (normally open or closed)
- Air pressure required to actuate: Min 73PSI (5bar) Max 130PSI (9bar)
- Air Consumption: 0.266 Liter at 5bar
- Shut-Off time: 1.5 seconds
- Material: 304 stainless steel
- (2) M12x1 threaded holes for mounting proximity switches
- Actuators include all hardware to attach and actuate Steel & O'Brien butterfly valves
- 1/4" to M10x1 compression fitting for 1/4" airline included, (1) for Air/Spring and (2) for Air/Air
- Spare Parts kits are available (SS C LOCK WIRE CLIP, SS CONACT SEAL, PTFE GASKETS, SS E CIRCLIP, X-RING SEAL, (3) O-RINGS)



REFERENCE DIMENSIONS				
PART #	SIZE	A	B	C
BFVAC-1	1"	6.85	2.06	2.60
BFVAC-1.5	1 1/2"	6.85	2.17	2.60
BFVAC-2	2"	6.85	2.68	2.75
BFVAC-2.5	2 1/2"	6.85	2.73	2.75
BFVAC-3	3"	6.85	2.96	3.00

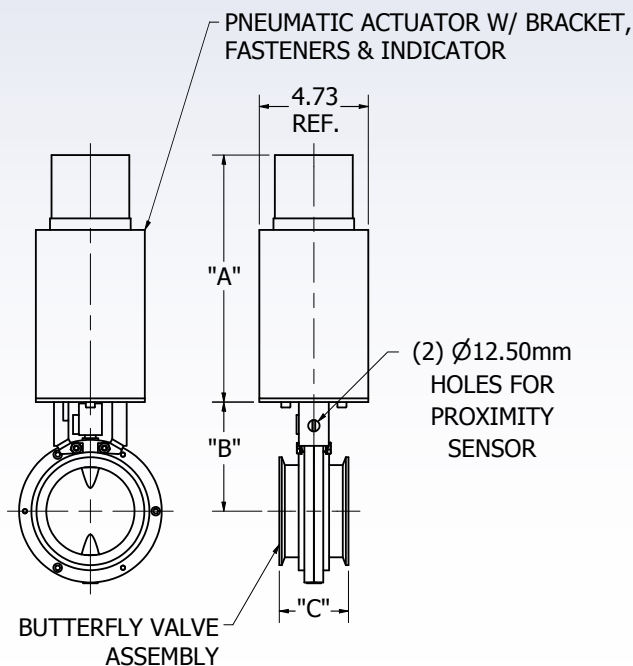


QUALITY SANITARY FITTINGS, TUBING, VALVES AND MORE

Actuated Butterfly Valves (4"):

C101 Actuator Features and Specifications:

- Fits 4" Valves
- Available in Air/Air (dual acting) and Air/Spring (normally open or closed)
- Air pressure required to actuate: Min 73PSI (5bar) Max 130PSI (9bar)
- Air Consumption: 0.550 Liter at 5bar
- Shut-Off time: 1.7 seconds
- Material: 304 stainless steel
- (2) 12.5mm holes for mounting Proximity switches
- Actuators include all hardware to attach and actuate Steel & O'Brien butterfly valves
- 1/4" to M10x1 compression fitting for 1/4" airline included, (1) for Air/Spring and (2) for Air/Air
- Spare Parts kits are available (SS C LOCK WIRE CLIP, SS CONACT SEAL, PTFE GASKETS, SS E CIRCLIP, X-RING SEAL, (3) O-RINGS)



REFERENCE DIMENSIONS				
PART #	SIZE	A	B	C
BFVAC-4	4"	10.71	4.73	3.00



QUALITY SANITARY FITTINGS, TUBING, VALVES AND MORE

Exploded view & itemized part list:

Parts List			
Item	Parts name	Q'TY	Material
1	St.St cylinder	1	SS304
2	St.St cylinder cap	1	SS304
3	Piston stem	1	Tenac 4010/SH410
4	Lock wire clip*	1	SS304
5	Lower cylinder end	1	SS304
6	Piston guide part	2	SS304
7	Piston guide part	1	SS304
8	Compress spring	4	SS304
9	Piston guide part	3	SS304
10	Piston axle O-ring*	1	Teflon
11	Teflon gasket*	1	Teflon
12	Coupling axle piece	1	SS304
13	Contact seal*	1	SS304
14	Circlip*	1	SS304
15	Mounting bracket	1	SS304
16	Connection piece	1	SS304
17	Assembly valve way	1	SS 304/316(L)
18	M8x12 ST.ST screw	2	SS304
19	M6 Nut	2	SS304
20	M6x35 ST.ST screw	2	SS304
21	Air connection	1	Cupper
22	Positioning index	1	SS304

* - (2) Piston O-Rings and parts with * are included in spare parts kit

